



# SkylinePRO

## LED Wallpack

- Genuine replacement for 70W Metal Halide & Sodium
- Fully encapsulated IP65 TUV Certified Driver
- High impact polycarbonate lens
- Bridgelux COB LED
- Up to 65% energy saving
- 50000 hours
- 7 year guarantee (Excluding Battery)<sup>3</sup>
- Suitable for BESA box mounting

### Options

- Photocell version complete with Lucy Zodion miniature photocell (55 lux)
- Emergency / Emergency Photocell version
- Asymmetric product available on request



30W  Energy Saving 57%



Emergency versions must be tested in line with the requirements of BS5266, failure to do so may effect battery life and warranty.


Code	Volts	W	Description	Lm	lm/W	Viewing Angle	Temp	Hours
04425	110/240	30	Skyline Pro LED Wallpack	2550	85	120°	4200K	50000
04428	240	30	Skyline Pro LED Wallpack Photocell version	2550	85	120°	4200K	50000
04419	240	30	Skyline Pro LED Wallpack Emergency version	2550	85	120°	4200K	50000
04417	240	30	Skyline Pro LED Wallpack Emergency Photocell version	2550	85	120°	4200K	50000





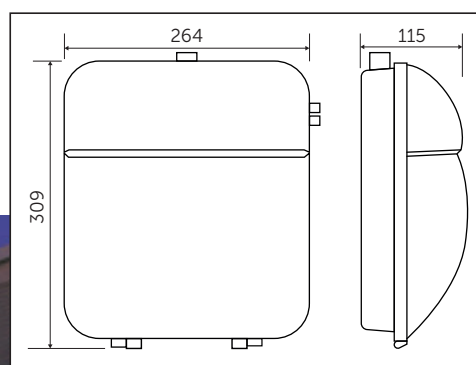
# SkylinePRO

## Technical Specification

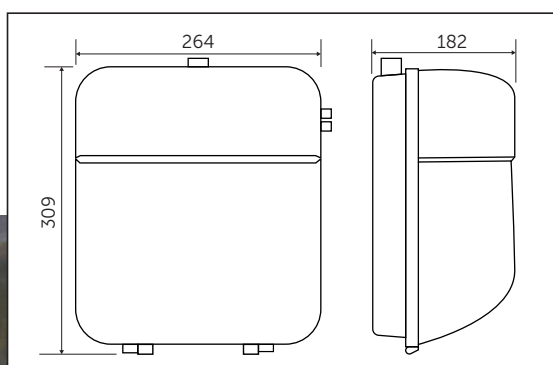
Data	
Construction	Die Cast Aluminium Base / PVC Cover
Driver	Meanwell 
LED Chip	Bridgelux
IP Rating	IP65
Operating Temp	-30°C to +35°C / Emergency version minimum temperature -5°C
Input Voltage	100 - 240V (Photocell and emergency versions 240V only)
Power Factor	> 0.9
CRI	85 - Exceeds EU standard of Ra 80 for Colour Rendering Index
LMR	80 - Exceeds EU standard of 70 for Lumens Maintenance Ratio
ECA Compliant	No

\* All BELL Lighting luminaires are rated L80 B10, so for a 50,000 hour product. L80B10 at 50,000 hours our fittings will still have 80% of initial lumen, only 10% of fittings will fail to achieve this.

**04425 Standard Version**  
**04428 Photocell Version 30W**



**04419 Emergency Version**  
**04417 Emergency/Photocell Version 30W**



<sup>1</sup> Exceeds EU standard of 70 for Lumens Maintenance Ratio  
<sup>2</sup> Exceeds EU standard of RA 80 for Colour Rendering Index  
<sup>3</sup> Subject to terms & conditions (Contact Customer Service)