



Spectrum

LED Emergency Exit Blade

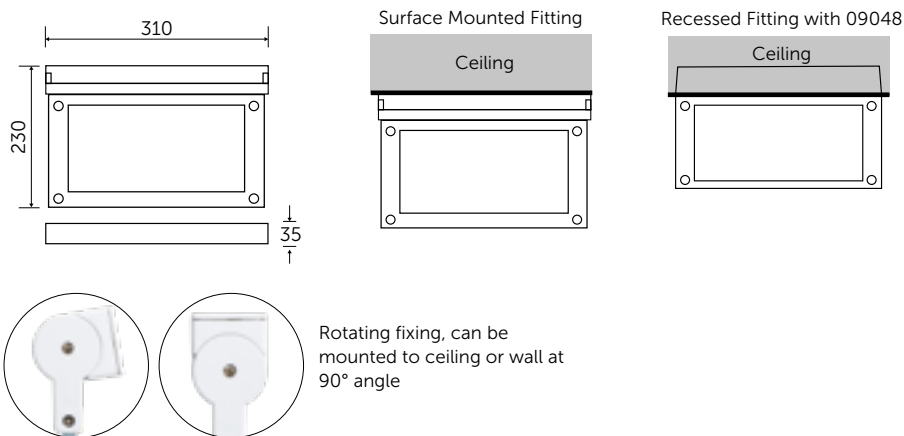
The Spectrum LED Emergency Surface Exit Blade is one of our most cost-effective emergency products. With a viewing distance of 25m, this Maintained/Non maintained is viewable for both sides to ensure safe passage in the unlikely event of an emergency.

- Sleek, low profile design
- Easy switching from non maintained to maintained via removable link
- Can be mounted to ceiling or wall
- Supplied with New Up Legend as standard
- Suitable for Commercial and Industrial installations
- Maintained / Non Maintained
- 25M Viewing Distance
- Viewable from both sides
- Recessing Kit option (Code 09048)



Manual Push Test Indicator

Once activated, unit illuminates for 5 minutes to indicate fitting is functioning correctly. Key Test feature can also be used.



Spectrum

LED Emergency Exit Blade

Legend Options



09058 New (ISO)
Left & right

09057 New (ISO)
Legend Down

09056 New (ISO)
Legend Up



09061 Old (Euro) Legend
Left & Right

09060 Old (Euro)
Legend Down

09059 Old (Euro)
Legend Up

Technical Specification

Construction	Polycarbonate
LED Chip	Samsung
IP Rating	IP20
Operating Temp	-5°C to +35°C
Input Voltage	220 - 240V
Power Factor	> 0.9
Battery	NiCd

Code	W	Description	Viewing Distance	Temp	Hours
09012	2.5	LED Emergency Exit Blade Surface including Up Legend. Maintained/Non Maintained	25M	6500K	25000
09013	-	New Legend Left + Right for Exit Blade		-	-
09014	-	New Legend Down for Exit Blade		-	-
09015	-	New Legend Up for Surface Exit Blade (spare accessory)		-	-
09016	-	Old Legend Left + Right for Exit Blade		-	-
09017	-	Old Legend Down for Exit Blade		-	-
09018	-	Old Legend Up for Exit Blade		-	-
09048	-	Recessing kit for Emergency Surface Exit Blade (09012)			

Must be tested in line with the requirements of BS5266, failure to do so may effect battery life and warranty.

