



# Spectrum

## LED Emergency IP65 / IP20 Twin Spot

### 10W IP65 Self Test Twin Spot (09035)

- Long life
- Low maintenance
- Daylight 6500K
- 180° Rotation / Tilting Heads
- Robust Construction
- Suitable for indoor use



09035

#### Auto Self Test Indicator. No requirement for manual key test.

Normal operation: Green indicator illuminated

Battery failure: Red indicator flashes once every 3 seconds

Light source failure: Red indicator flashes twice every 3 seconds

Less than rated duration time: Red indicator flashes three times every 3 seconds

### 6W IP65 Twin Spot (09047) 6W IP20 Twin Spot (09050)

- Long life
- Low maintenance
- Daylight 6500K
- 180° Rotation / Tilting Heads
- Robust Construction
- Suitable for indoor/outdoor use



09047

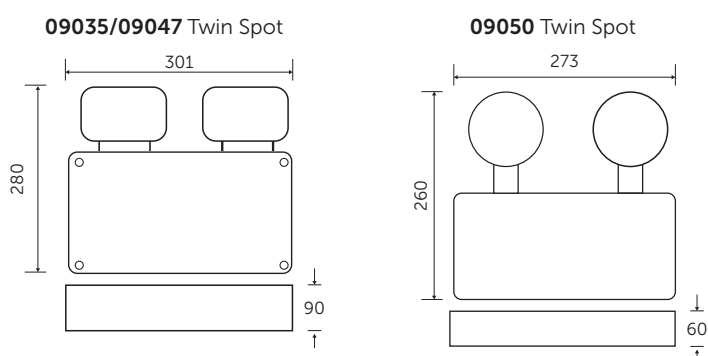
09050



# Spectrum

## Technical Specification

Data	
Construction	Polycarbonate
LED Chip	Samsung
IP Rating	IP65 / IP20
Operating Temp	-5°C to +35°C
Input Voltage	220 - 240V
Power Factor	> 0.9



Code	W	Description	Temp	lm	Hours
09035	10	LED Emergency Twin Spot IP65 Self Test. Non Maintained	6500K	650	30000
09050	6	LED Emergency Twin Spot IP20. Non Maintained	6500K	400	30000
09047	6	LED Emergency Twin Spot IP65. Non Maintained	6500K	300	30000

Must be tested in line with the requirements of BS5266, failure to do so may effect battery life and warranty.



<sup>1</sup> Exceeds EU standard of 70 for Lumens Maintenance Ratio  
<sup>2</sup> Exceeds EU standard of RA 80 for Colour Rendering Index  
<sup>3</sup> Subject to terms & conditions (Contact Customer Service)