



ArialPRO

LED Downlight

- Ideal for home and office environments
- Equivalent up to 2x26W fluorescent
- Anti glare
- Tridonic Driver ⁴
- Tool Free - Plug & Play
- TPa Rated as standard
- Emergency downlights with 5 year battery guarantee available



Includes Quick Fix Connector - Plug & Play Fitting

Tool-Free loop in / loop out terminals. Quick release connector for ease of insulation resistance testing.



9W = 18W Energy Saving 50%

12W = 26W Energy Saving 53%

21W = 52W Energy Saving 60%

7 YEAR Downlight Guarantee

1 YEAR Battery Guarantee Emergency Versions

2 YEAR On Site Warranty

80 Lumens Maintenance Ratio B10*

85 Colour Rendering Index

IP43 Water & Dust Protected Fitting

SLL Standard Contact Us For Lighting Design

Flicker Free Driver

TPa Rated Downlight

| Code | W | Description | Lm | Temp | Hours |
|-------|----|---|------|-------|-------|
| 10580 | 9 | Arial Pro LED Integrated Fixed Downlight, 4000K | 850 | 4000K | 50000 |
| 10581 | 12 | Arial Pro LED Integrated Fixed Downlight, 4000K | 1180 | 4000K | 50000 |
| 10582 | 21 | Arial Pro LED Integrated Fixed Downlight, 4000K | 1850 | 4000K | 50000 |
| 10590 | 9 | Arial Pro LED Integrated Fixed Downlight, 4000K - Emergency | 850 | 4000K | 50000 |
| 10591 | 12 | Arial Pro LED Integrated Fixed Downlight, 4000K - Emergency | 1180 | 4000K | 50000 |
| 10592 | 21 | Arial Pro LED Integrated Fixed Downlight, 4000K - Emergency | 1850 | 4000K | 50000 |
| 10593 | 9 | Arial Pro LED Integrated Fixed Downlight, 4000K - 0-10V Dim | 850 | 4000K | 50000 |
| 10594 | 12 | Arial Pro LED Integrated Fixed Downlight, 4000K - 0-10V Dim | 1180 | 4000K | 50000 |
| 10595 | 21 | Arial Pro LED Integrated Fixed Downlight, 4000K - 0-10V Dim | 1850 | 4000K | 50000 |
| 10586 | 9 | Arial Pro LED Integrated Fixed Downlight, 4000K - Dali Dim | 850 | 4000K | 50000 |
| 10587 | 12 | Arial Pro LED Integrated Fixed Downlight, 4000K - Dali Dim | 1180 | 4000K | 50000 |
| 10588 | 21 | Arial Pro LED Integrated Fixed Downlight, 4000K - Dali Dim | 1850 | 4000K | 50000 |

Available on request:

- Emergency panels with 5 year battery guarantee
- Emergency 0-10v Dim
- Emergency Dali Dim

For further information call 01924 893380 or email sales@belllighting.co.uk

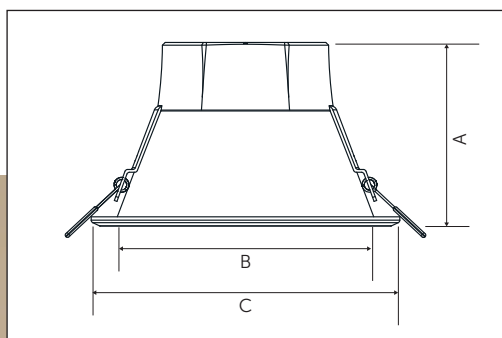
Emergency versions must be tested in line with the requirements of BS5266, failure to do so may effect battery life and warranty.



Technical Specification

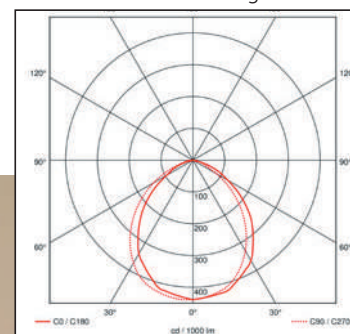
| Data | |
|---------------------------------|--|
| Construction | Polycarbonate |
| Driver | Tridonic |
| LED Chip | Philips |
| IP Rating | IP43 |
| Operating Temp | -5°C to +35°C |
| Input Voltage | 220 - 240V |
| Power Factor | > 0.9 |
| CRI | 85 - Exceeds EU standard of Ra 80 for Colour Rendering Index |
| LMR | 80 - Exceeds EU standard of 70 for Lumens Maintenance Ratio |
| L1A / L1B / L2A / L2B Compliant | No |
| Emergency Battery Type | NiCd |

* All BELL Lighting luminaires are rated L80 B10, so for a 50,000 hour product. L80B10 at 50,000 hours our fittings will still have 80% of initial lumen, only 10% of fittings will fail to achieve this.



| | 9W | 12W | 21W |
|---------|-------|-------|-------|
| A | 88mm | 100mm | 110mm |
| B | 99mm | 142mm | 193mm |
| C | 117mm | 167mm | 217mm |
| Cut-Out | 105mm | 150mm | 200mm |

9W LED Downlight



¹ Exceeds EU standard of 70 for Lumens Maintenance Ratio
² Exceeds EU standard of Ra 80 for Colour Rendering Index
³ Subject to terms & conditions (Contact Customer Service)