



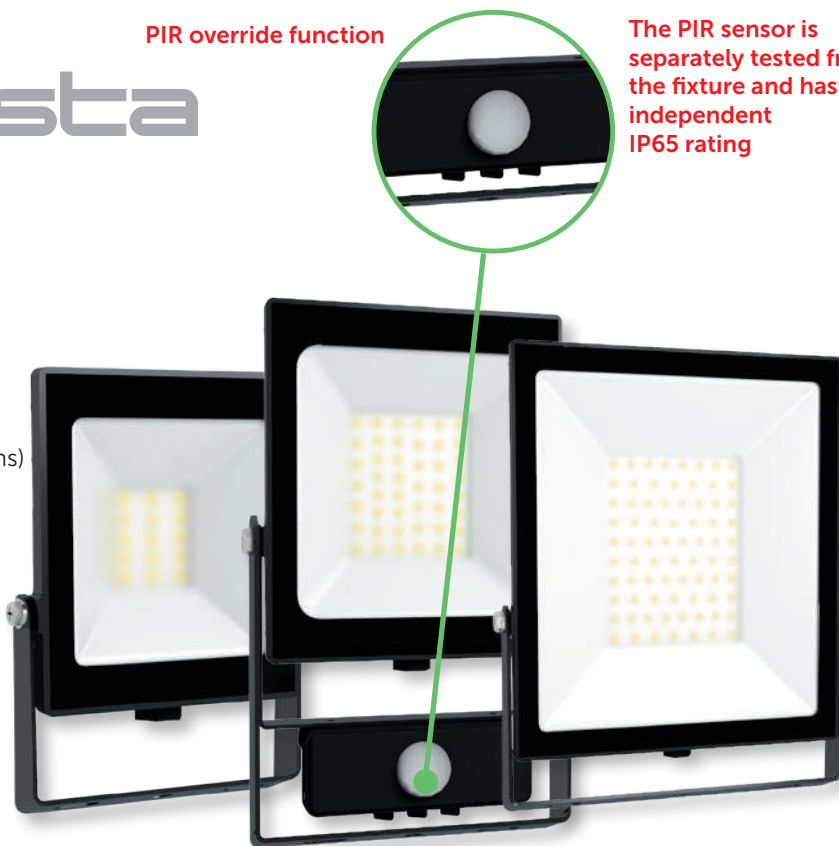
# Skylinevista

## LED Floodlight

- Genuine replacement for Halogen Floodlight
- Super slim compact design
- SMD LED
- Die-cast Aluminium
- Separately tested IP65 PIR Sensor (PIR versions)
- PIR Over-ride function (PIR versions)
- Average 8M detection range for PIR Floods
- Available in 4000K & 2700K

PIR override function

The PIR sensor is separately tested from the fixture and has an independent IP65 rating



10W  $\equiv$   $\frac{120}{W}$  Energy Saving 91%

20W  $\equiv$   $\frac{160}{W}$  Energy Saving 88%

30W  $\equiv$   $\frac{240}{W}$  Energy Saving 88%

50W  $\equiv$   $\frac{400}{W}$  Energy Saving 88%



Code	V	W	Description	Lm	Temp	lm/W	Hours
10700	240	10	10W Skyline Vista LED Floodlight - 4000K	800	4000	80	25000
10701	240	10	10W Skyline Vista LED PIR Floodlight - 4000K	800	4000	80	25000
10702	240	20	20W Skyline Vista LED Floodlight - 4000K	1600	4000	80	25000
10703	240	20	20W Skyline Vista LED PIR Floodlight - 4000K	1600	4000	80	25000
10704	240	30	30W Skyline Vista LED Floodlight - 4000K	2400	4000	80	25000
10705	240	30	30W Skyline Vista LED PIR Floodlight - 4000K	2400	4000	80	25000
10706	240	50	50W Skyline Vista LED Floodlight - 4000K	4000	4000	80	25000
10707	240	50	50W Skyline Vista LED PIR Floodlight - 4000K	4000	4000	80	25000
10708	240	10	10W Skyline Vista LED Floodlight - 2700K	800	2700	80	25000
10709	240	10	10W Skyline Vista LED PIR Floodlight - 2700K	800	2700	80	25000
10710	240	20	20W Skyline Vista LED Floodlight - 2700K	1600	2700	80	25000
10711	240	20	20W Skyline Vista LED PIR Floodlight - 2700K	1600	2700	80	25000
10712	240	30	30W Skyline Vista LED Floodlight - 2700K	2400	2700	80	25000
10713	240	30	30W Skyline Vista LED PIR Floodlight - 2700K	2400	2700	80	25000
10714	240	50	50W Skyline Vista LED Floodlight - 2700K	4000	2700	80	25000
10715	240	50	50W Skyline Vista LED PIR Floodlight - 2700K	4000	2700	80	25000



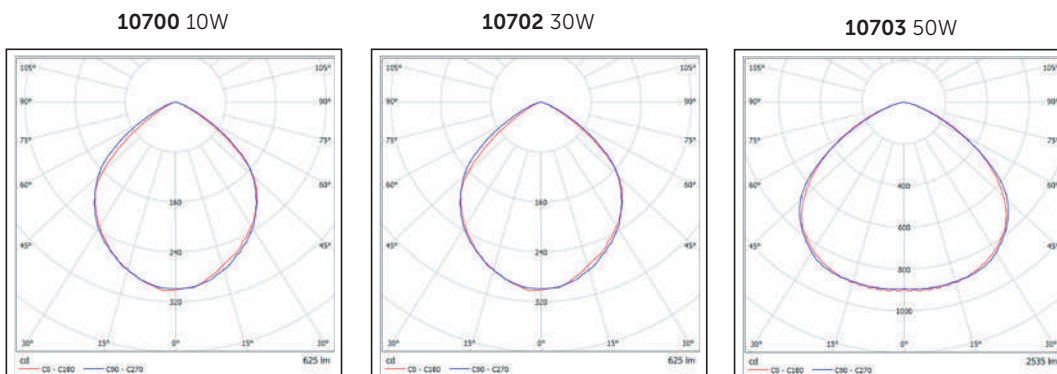
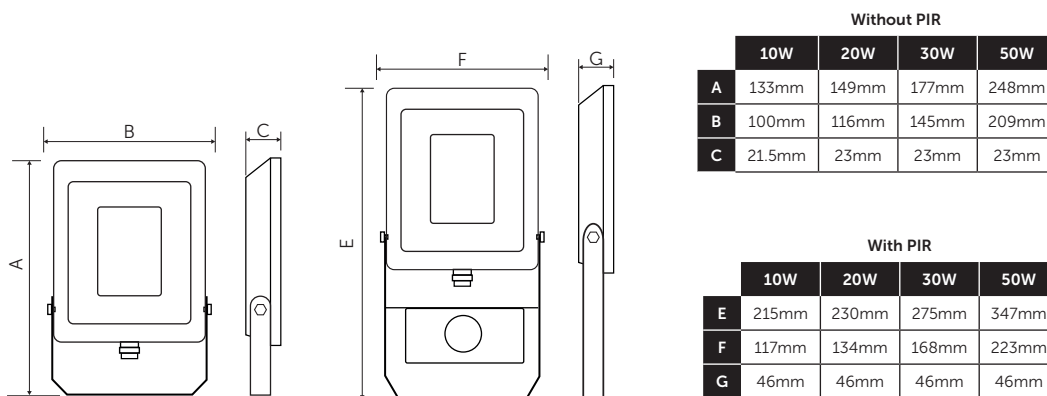


# Skylinevista

## Technical Specification

Data	
<b>Construction</b>	Die Cast Aluminium body, Stainless Steel screws and fixings
<b>Driver</b>	BELL
<b>LED Chip</b>	SMD
<b>IP Rating</b>	IP65
<b>Operating Temp</b>	-20°C to +25°C Outdoor use only
<b>Input Voltage</b>	240V
<b>Power Factor</b>	> 0.9
<b>CRI</b>	85 - Exceeds EU standard of Ra 80 for Colour Rendering Index
<b>LMR</b>	80 - Exceeds EU standard of 70 for Lumens Maintenance Ratio
<b>Windage</b>	10W Non PIR 0.013M <sup>2</sup> / 20W Non PIR 0.015M <sup>2</sup> / 30W Non PIR 0.024M <sup>2</sup> / 50W Non PIR 0.053M <sup>2</sup> 10W PIR 0.023M <sup>2</sup> / 20W PIR 0.033M <sup>2</sup> / 30W PIR 0.043M <sup>2</sup> / 50W PIR 0.075M <sup>2</sup>
<b>Weight</b>	10W Non PIR 0.32Kg / 10W PIR 0.49Kg / 20W Non PIR 0.39Kg / 20W PIR 0.57Kg / 30W Non PIR 0.54Kg / 30W PIR 0.75Kg 50W Non PIR 1.1Kg / 50W PIR 1.24Kg

\* All BELL Lighting luminaires are rated L80 B10, so for a 50,000 hour product. L80B10 at 50,000 hours our fittings will still have 80% of initial lumen, only 10% of fittings will fail to achieve this.



<sup>1</sup> Exceeds EU standard of 70 for Lumens Maintenance Ratio  
<sup>2</sup> Exceeds EU standard of RA 80 for Colour Rendering Index  
<sup>3</sup> Subject to terms & conditions (Contact Customer Service)