



# SkylineELITE+

## Asymmetric LED Floodlight

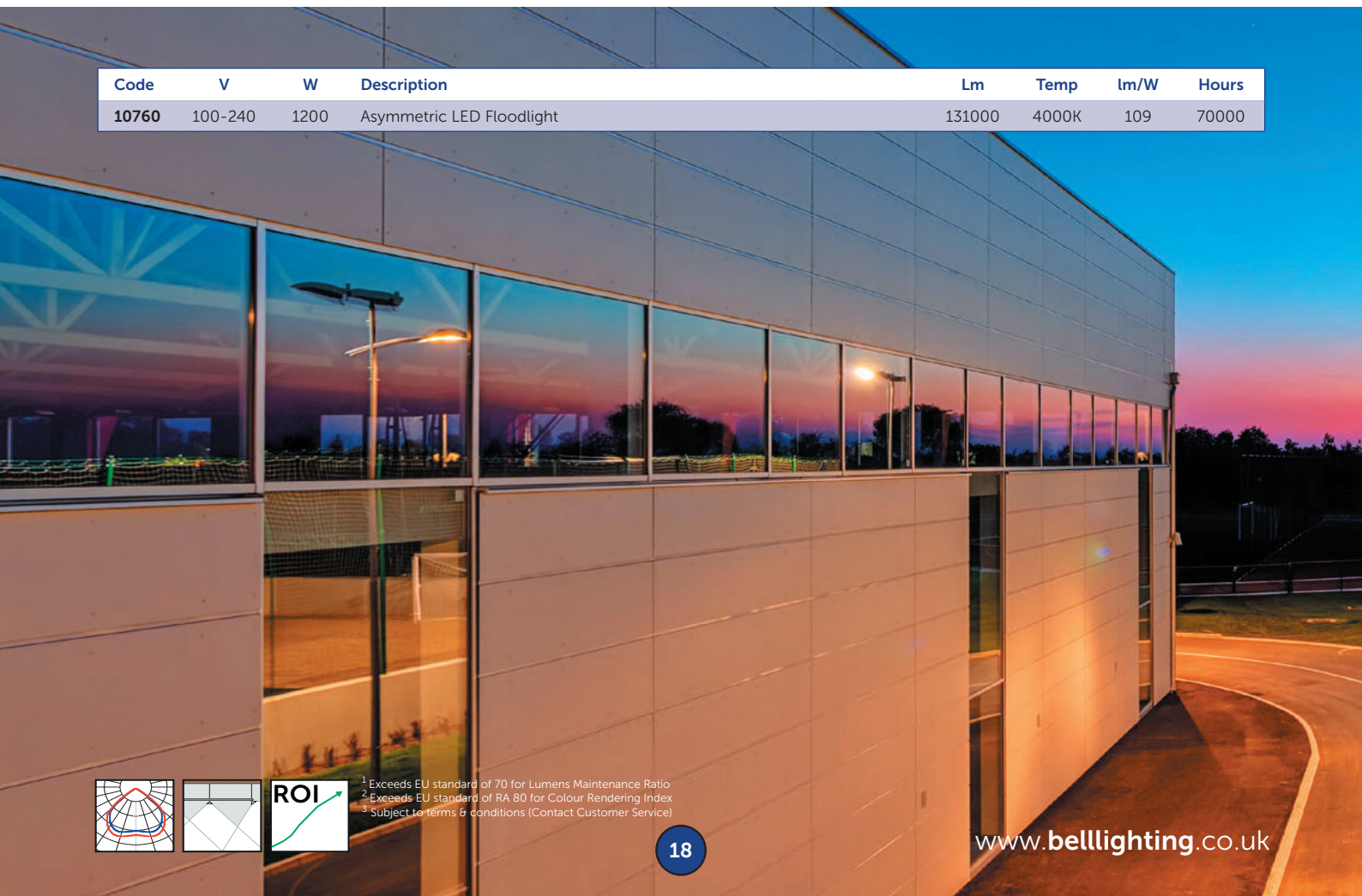
- 1200W Asymmetric Floodlight
- Genuine replacement for 2000W Metal Halide
- 109 LM/W
- IP66
- Fully adjustable mounting bracket
- Angle markings for easy alignment
- Asymmetric 0% ULOR
- Low weight & windage

**NEW**



1200W  $\equiv$  2000W MH Energy Saving 46%

Code	V	W	Description	Lm	Temp	lm/W	Hours
10760	100-240	1200	Asymmetric LED Floodlight	131000	4000K	109	70000



<sup>1</sup> Exceeds EU standard of 70 for Lumens Maintenance Ratio  
<sup>2</sup> Exceeds EU standard of RA 80 for Colour Rendering Index  
<sup>3</sup> Subject to terms & conditions (Contact Customer Service)



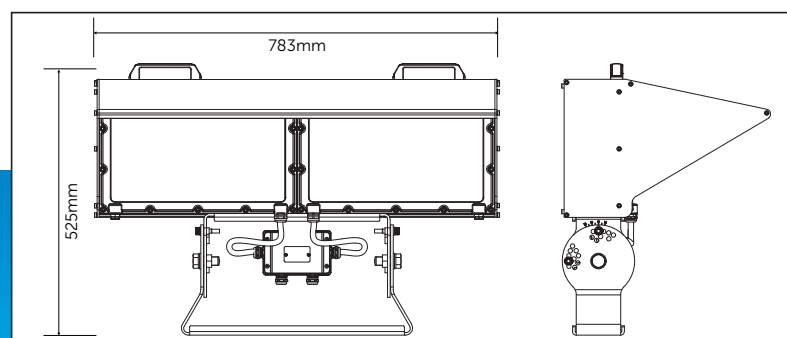
# SkylineELITE+

## Technical Specification

Data	
Construction	Die Cast LM6 Aluminium & Polycarbonate lens
Driver	Inventronics 1-10V Dim
LED Chip	Oslon
IP Rating	IP66
Operating Temp	-30°C to +35°C
Input Voltage	100 - 240V
Power Factor	> 0.9
CRI	85
LMR	80 - Equal to EU standard of 70 for Lumens Maintenance Ratio
ECA Compliant	Yes
Weight	28.8 Kg
Windage	0.21M <sup>2</sup>

\* All BELL Lighting luminaires are rated L80 B10, so for a 50,000 hour product. L80B10 at 50,000 hours our fittings will still have 80% of initial lumen, only 10% of fittings will fail to achieve this.

10760



10760 1200W  
Asymmetric LED Floodlight 30°

